

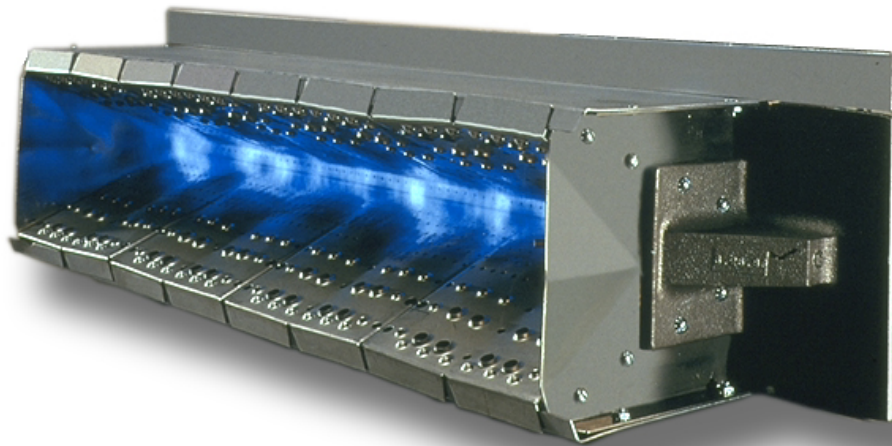
Honeywell

MAXON

APX™

Nozzle-mix line burner

TECHNICAL CATALOG



- **Nozzle-mixing line burner for use with low pressure natural gas, propane and butane**
- **Eliminates leakage with its single-piece, aluminum extrusion body design**
- **Cooler oven walls due to deeper penetration inside the oven (wall-mounted applications)**
- **Independent of variable process air-flows (in-duct applications)**
- **Corrosion resistant main gas/air body and durable stainless steel mixing plates**
- **Up to 40:1 turndown**
- **Up to 1.36 MBtu/h per foot**
- **Packaged units up to 15 ft in length**

PRODUCT DESCRIPTION

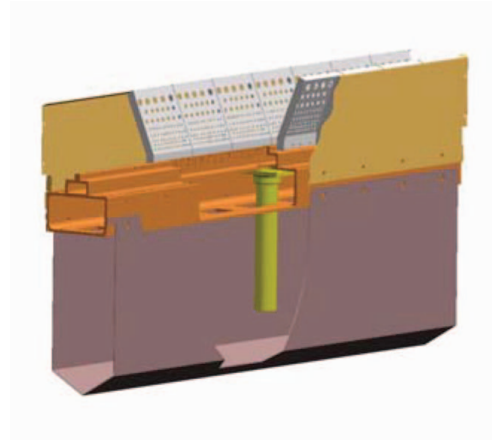
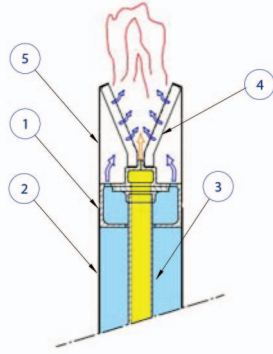
MAXON APX™ burners are packaged nozzle-mix line burners, especially designed for fresh or low temperature recirculating air heating applications.

The APX™ burner is a value engineered design utilizing a single aluminum extrusion for both its main air and fuel manifolds. Its single-piece, seamless body design eliminates burner leakage and maximizes burner performance.



32M-01013-03

- 1) Gas/air body
- 2) Air box
- 3) Gas pipe
- 4) Mixing plate
- 5) Side plate



The particular drilling pattern of the air/gas mixing body provides increased turbulence as well as uniform air distribution across the entire burner length. This results in better gas/air mixing, shorter flames, more resistance to cross-flows and much lower emissions.

The design of the APX™ burner allows for high turndown without premixing fuel and air at low firing rates. Low emissions are maintained through precise aeration of the flame along its length. This progressive aeration of the flame is achieved with the advanced mixing plate design of MAXON NP AIRFLO® Line burner.

The APX™ burner is built in 2 main versions, both available in lengths of 0,5 ft up to 15 ft :

- **A wall-mounted APX™ burner to be externally mounted on oven or dryer walls. With a flame that exits the mixing chamber more than 6 inches downstream from the burner mounting flange, it is possible to penetrate oven panels up to 6 inches thickness without risking damage to oven structure from flame impingement.**
- **An in-duct APX™ burner to heat-up low temperature process air flows.**

For both versions, you can choose between:

- **the standard APX™ burner with 1 or more gas and air inlet connections on the back of the burner, depending on the burner length.**
- **the packaged APX™ burner equipped with one or more low horse-power paddle wheel fans, which resist possible particle build-up and provide higher air pressures.**

Additionally, the APX™ in-duct burner is also available as a "slide-in-unit", with a mounting plug or plate which can be easily flanged onto the duct.

A complete product overview is shown in "Specifications of APX™ burners" - page 2.

Special grid versions or burner lengths extending beyond 15 ft are also available. Contact MAXON for more information.

AVAILABLE APX™ SIZES

Whatever APX™ version has been selected, the typical burner data per foot of burner are equal and shown in the below table. Note that these are typical data, which may slightly vary depending on the application and/or process design data.

Typical burner data			
Fuel: natural gas with 1000 Btu/ft³ (HHV) - sg = 0.6 [1]			
Combustion air: 60 °F - 21 % O₂ - 50 % Humidity - sg = 1.0 [1]			
Stated pressures are indicative. Actual pressures are a function of air humidity, altitude, type of fuel and gas quality.			
		Fresh process air firing 21 % O ₂ - 60 °F	Recirculating air firing (low O ₂ to almost inert higher upstream temperatures)
Max. capacity per foot	[2] MBtu (HHV)	1.36	1.0
Max. flame length (fresh process air - 21 % O ₂ - 60 °F)	[3] ft	3 to 5	7 to 10
Turndown		40:1	30:1
Comb. air pressure at max. capacity	[4] "wc	8.4	6.4
Corresponding excess air factor	[5] n	1.1	1.3
Natural gas pressure at max, capacity (SP drillings)	[6] "wc	31.3	17.3
Natural gas pressure at max, capacity (LP drillings)	[7] "wc	16.5	9.2

- [1] sg (specific gravity) = relative density to air (density air = 0.0763 lbs/ft³(st))
- [2] Advised maximum capacities per ft. Overfiring is possible (up to 20%) if special considerations are taken. Overfiring will give longer flames. Contact MAXON for more information.
- [3] Typical flame lengths for shown excess air and capacity. Process oxygen levels, process velocities and air distribution may influence flame length. Contact MAXON for detailed information.
- [4] Differential air pressure between burner test connection and combustion chamber for burner commissioning.
- [5] Advised excess air factor for given capacity and optimal burner performance. Higher excess air factor will reduce flame length. Contact MAXON for more information.
- [6] Differential natural gas pressure between burner gas test connection and combustion chamber (SP = standard pressure drillings).
- [7] Differential natural gas pressure between burner gas test connection and combustion chamber (LP = low pressure drillings).

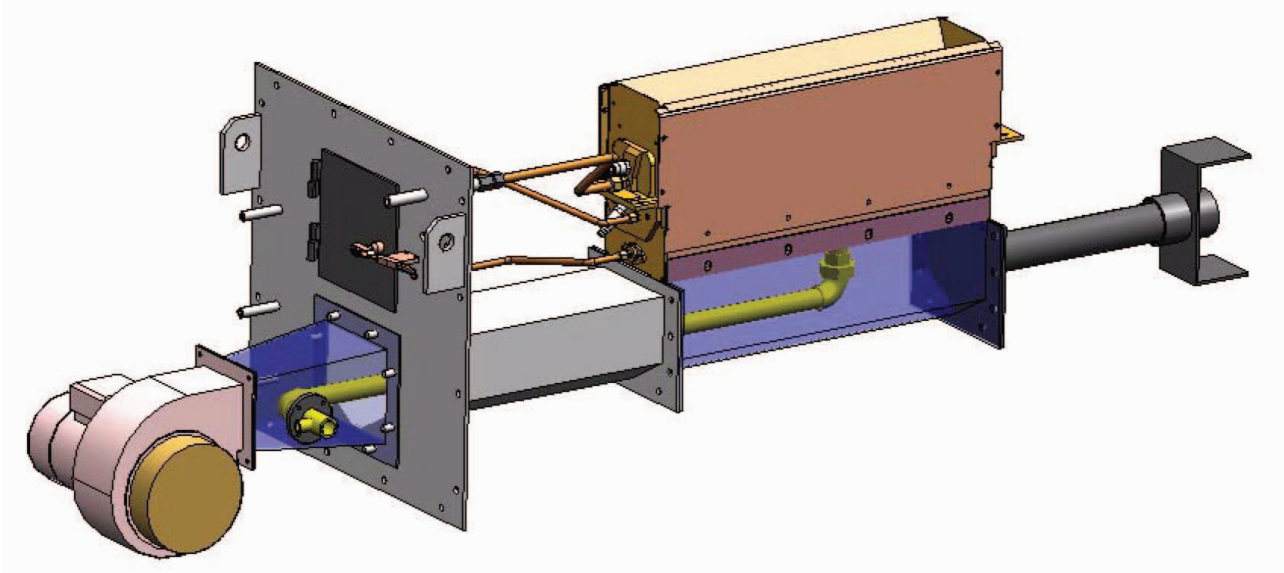
APPLICATIONS

MAXON APX™ burners are installed in a wide variety of applications.

The wall-mounted APX™ burner is typically used on low temperature ovens with air recirculation (food, canning, construction materials, etc.).

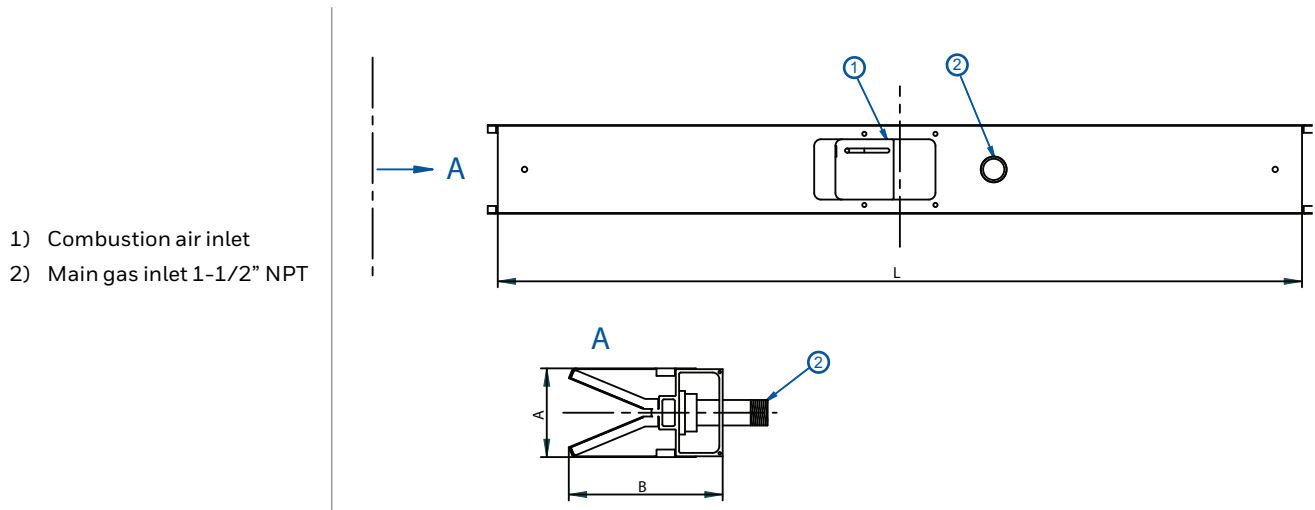
The in-duct APX™ burner is perfectly suitable for direct air heating. The clean hot air generated by the burner meets most of the local requirements for make-up air systems, independent from possible variations of the process air flow (make-up, paint shops).

Besides make-up air heating and low temperature ovens, the APX™ burner is widely used in all kinds of drying applications with fresh process air, or in recirculating low oxygen/ high humidity atmospheres (paper, food, gypsum).



2 ft APX™ burner of 1 MBtu/h for low temperature air heating in a spray booth. Slide-in-unit for easy in-duct installation. Including combustion air blower, main and pilot gas connection, gas and air test connections and electrical feed through for spark ignitor and flame rod.

DIMENSIONS AND WEIGHTS



Dimensions in inches unless stated otherwise															
burner size (ft)	1	2	3	4	5	6	7	8	9	10	11	12	13	14	15
L	12	24	36	48	60	72	84	96	108	120	132	144	156	168	180
Weight (lbs)	13	26	42	55	68	81	95	108	123	137	150	163	176	192	205
A	6.6														
B	11.5														

⚠ WARNING
Number and position of gas and air inlets depends on burner size. Refer to “Specifications of APX™ burners” for additional details.

Read “Specifications of APX™ burners” for correct and complete information on APX™ burners.

TYPICAL EMISSIONS (BURNERS ONLY)

Thanks to the advanced mixing technology of the single-piece gas/air body, MAXON APX™ burners combine excellent flexibility and turndown with very sharp emission levels on both CO and NO_x. Contact MAXON for more information.

SPECIFICATIONS OF APX™ BURNERS

APX™ Burner - STRAIGHT - packaged blower [1]

Typical burner data [2] Fuel: natural gas with 1000 Btu/ft³ HHV - sg = 0.6 [3] Combustion air: 60 °F - 21 % O₂ - 50 % humidity - sg = 1.0 [3] Stated pressures are indicative. Actual pressures are a function of air humidity, altitude, type of fuel and gas quality.									
Burner size [4]	Differential gas pressure Standard drilling [5] "wc	Differential gas pressure low pressure drilling [5] "wc	Maximum capacity [6] Btu/h	Differential air pressure [7] "wc	Nominal air flow [8] scfm	Min. Capacity Btu/h	Flame length [9] in	Blower horsepower hp	Number of blowers
0.5	16.5	5.5	400,000	1.5	80	12,500	30-40	1/12	1
1	16.5	9	1,000,000	4	172	25,000	30-40	1/2 [10]	1
1.5	16.5	9	1,500,000	4	260	37,500	30-40	1/2 [10]	1
2	16.5	9	2,000,000	4	345	50,000	30-40	1	1
2.5	16.5	9	2,500,000	4	430	62,500	30-40	1	1
3	16.5	9	3,000,000	4	510	75,000	30-40	1	1
3.5	16.5	9	3,500,000	4	600	87,500	30-40	1.5	1
4	16.5	9	4,000,000	4	690	100,000	30-40	1.5	1
5	16.5	9	5,000,000	4	860	125,000	30-40	3	1
6	16.5	9	6,000,000	4	1030	150,000	30-40	1	2
7	16.5	9	7,000,000	4	1200	175,000	30-40	1.5	2
8	16.5	9	8,000,000	4	1380	200,000	30-40	1.5	2
9	16.5	9	9,000,000	4	1550	225,000	30-40	3	2
10	16.5	9	10,000,000	4	1720	250,000	30-40	3	2
11	16.5	9	11,000,000	4	1900	275,000	30-40	3	2
12	16.5	9	12,000,000	4	2060	300,000	30-40	1.5	3
13	16.5	9	13,000,000	4	2240	325,000	30-40	3	3
14	16.5	9	14,000,000	4	2400	350,000	30-40	3	3
15	16.5	9	15,000,000	4	2600	375,000	30-40	3	3

[1] Not for EC-market - see "Available APX™ versions and options" page 10 and page 11.

[2] Burner data displayed assume blower(s) operating on 60 Hz electrical supply. Max. burner capacity will be reduced by 17 % if operated on 50 Hz. Fuel and air pressure should be reduced by 30 % while motor power will reduce 40 % with 50 Hz operation.

[3] sg (specific gravity) = relative density to air (density air = 0.0763 lbs/ft³(st)).

[4] Burner size corresponds with the straight burner length in ft.

[5] Pressure differential between burner test connection and combustion chamber for natural gas to be used for burner commissioning - LP burner (Low Pressure drillings). Actual pressure differential at burner gas inlet is 5 % higher.

[6] Fresh air firing. When firing in low oxygen environment, max. capacity should be downrated.

[7] Differential combustion air pressure between burner air test connection and combustion chamber for commissioning.

[8] When firing in balanced combustion chamber.

[9] Expected flame length in fresh air firing. Flame length may vary as a function of process air flow distribution, velocity, temperature, oxygen level etc. Contact MAXON for more information.

[10] 575 volt version in 3/4 HP.

**APX™ burner - H - external blower conversion table
to corresponding straight lengths of burner in feet**

Burner size	Burner dimension (ft)	Corresponding straight length (ft)
APX 1 x 1 H	1 x 1	3
APX 1 x 1.5 H	1 x 1.5	3.5
APX 1 x 2 H	1 x 2	4
APX 1 x 2.5 H	1 x 2.5	4.5
APX 2 x 1 H	2 x 1	5
APX 2 x 1.5 H	2 x 1.5	5.5
APX 2 x 2 H	2 x 2	6
APX 2 x 2.5 H	2 x 2.5	6.5
APX 3 x 1 H	3 x 1	7
APX 3 x 1.5 H	3 x 1.5	7.5
APX 3 x 2 H	3 x 2	8
APX 3 x 2.5 H	3 x 2.5	8.5
APX 3 x 3.5 H	3 x 3.5	9.5

Example:

APX™ 2 x 2.5 H corresponds with 6.5 ft straight burner length.

Use table page 6 and page 7 for typical burner data per foot of burner.

APX™ burner firing on natural gas - modulated combustion air [1] - STRAIGHT and H - external blower

Typical burner data									
Fuel: natural gas with 1000 Btu/ft ³ HHV - sg = 0.6 [2]									
Combustion air: 60 °F - 21 % O ₂ - 50 % humidity - sg = 1.0 [2]									
Stated pressures are indicative. Actual pressures are a function of air humidity, altitude, type of fuel and gas quality.									
	APX™ natural gas firing - Capacity per foot	[3]	MBtu/h (HHV)	0.03	0.17	0.34	0.68	1.0	1.36
	Differential natural gas pressure SP burner	[4]	"wc	0.015	0.5	1.9	7.6	16.5	30.5
	Differential natural gas pressure LP burner	[5]	"wc	0.01	0.26	1.04	4.16	9	16.6
Fresh air firing	Differential combustion air pressure for fresh air firing	[6]	"wc	0.45	0.45	0.45	1.8	4	7.1
	Differential combustion air pressure at blower outlet for fresh air firing	[7]	"wc	0.7	0.7	0.7	2.8	6	11
	(Optimal) combustion air flow for fresh air firing	[8]	scfh	3500	3500	3500	7000	10300	14035
	(Optimal) combustion air factor for fresh air firing	[8]	n	11	2.2	1.1	1.1	1.1	1.1
	Flame length (fresh air firing)	[9]	ft	NA	0.98	1.6-2.7	2.7-3.6	3.6-4.6	4.6-5.6
Recirculation air with low O ₂ and higher upstream temperature	Differential combustion air pressure for recirculating air firing (low O ₂ . n>=1.3)	[6]	"wc	0.45	0.45	0.67	2.68	5.35	10
	Differential combustion air pressure at blower outlet for recirculating air firing (low O ₂ . n>=1.3)	[7]	"wc	0.63	0.63	1.0	3.68	7.4	15
	(Optimal) combustion air flow for recirculating air firing (low O ₂ . n>=1.3)	[8]	scfh	3531	3531	4238	8476	12360	NA
	(Optimal) combustion air factor for recirculating air firing (low O ₂ . n>=1.3)	[8]	n	11	2.2	1.3	1.3	1.3	NA
	Flame length (recirculating air firing (low O ₂ . n>=1.3)	[9]	ft	NA	1.6-2.6	4-5	6.5-8.2	9.2-10	(11.5)

[1] If an APX™ burner is used with constant combustion air, select the required combustion air pressure from above table for required maximum capacity per foot.

[2] sg (specific gravity) = relative density to air (density air = 0.0763 lbs/ft³(st)).

[3] is the minimum capacity for natural gas (1 control valve per burner, SP drillings see [4]).The maximum capacity is set at 1.36 MBtu/h. Overfiring in fresh air heating application is possible (up to 20 %). For low oxygen recirculating applications, we advise to limit the max. capacity per foot to 1 MBtu/h, with n = 1,3

[4] Pressure differential between burner test connection and combustion chamber for natural gas to be used for burner commissioning - SP burner (Standard Pressure drillings). Actual pressure differential at burner gas inlet is 5 % higher.

[5] Pressure differential between burner test connection and combustion chamber for natural gas to be used for burner commissioning - LP burner (Low Pressure drillings). Actual pressure differential at burner gas inlet is 5 % higher.

[6] Differential combustion air pressure between burner air test connection and combustion chamber for commissioning.

[7] Typical differential combustion air pressure for 5 ft APX™ to be used for blower selection.

[8] Advised combustion air flow and air factor "n" for best burner performance. For recirculating air heating with low oxygen, advised air factor is 20 % higher (n >= 1,1 for fresh air firing, n >= 1,3 for recirculating processes).

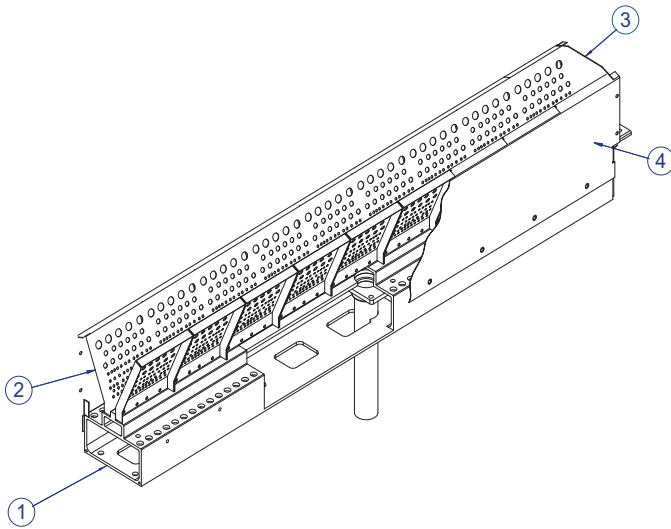
[9] Typical flame length for shown air amount and capacity. Flame length may vary as a function of process air flow distribution, velocity, temperature, oxygen level etc. Contact MAXON for more information.

APX burner firing on propane - modulated combustion air flow [1] - STRAIGHT and H - external blower

Typical burner data Fuels: propane with 2592 Btu/ft³ HHV - sg = 1.57 [2] butane with 3364 kBtu/ft³ HHV - sg = 2.07 [2] Combustion air: 15 °C - 21 % O₂ - 50 % humidity - sg = 1.0 [2] Stated pressures are indicative. Actual pressures are a function of air humidity, altitude, type of fuel and gas quality.									
	APX™ Propane / Butane Gas firing - Capacity per foot	[3]	MBtu/h (HHV)	0.07	0.17	0.34	0.68	1.0	1.36
	Differential Propane Gas pressure SP burner	[4]	"wc	0.03	0.19	0.75	3	6.52	12
	Differential Butane Gas pressure SP burner	[5]	"wc	0.02	0.14	0.58	2.3	5	9.2
Fresh air firing	Differential combustion air pressure for fresh air firing	[6]	"wc	4	4	4	4	4	7.1
	Differential combustion air pressure at blower outlet for fresh air firing	[7]	"wc	6	6	6	6	6	11
	(Optimal) combustion air flow for fresh air firing	[8]	scfh	5300	7000	7000	7000	10300	14035
	(Optimal) combustion air factor for fresh air firing	[8]	n	8.9	4.4	2.2	1.1	1.1	1.1
	Flame length (fresh air firing)	[9]	ft	NA	0.98	1.6-2.7	2.7-3.6	3.6-4.6	4.6-5.6
Recirculation air with low O ₂ and higher upstream temperature	Differential combustion air pressure for recirculating air firing (low O ₂ . n>=1.3)	[6]	"wc	4	4	4	4	5.35	(10)
	Differential combustion air pressure at blower outlet for recirculating air firing (low O ₂ . n>=1.3)	[7]	"wc	6	6	6	6	7.4	(15)
	(Optimal) combustion air flow for recirculating air firing (low O ₂ . n>=1.3)	[8]	scfh	10300	10300	10300	10300	12360	NA
	(Optimal) combustion air factor for recirculating air firing (low O ₂ . n>=1.3)	[8]	n	33	6.6	3.3	1.6	1.3	NA
	Flame length (recirculating air firing (low O ₂ . n>=1.3)	[9]	ft	NA	1.6-2.6	4-5	6.5-8.2	9.2-10	(11.5)

- [1] If an APX™ is used with constant combustion air, select the required combustion air pressure from above table for required maximum capacity per foot.
- [2] sg (specific gravity) = relative density to air (density air = 0.0763 lbs/ft³(st))
- [3] 68303 Btu/h is the minimum capacity for propane/butane firing (1 control valve per burner, SP drillings see [4]). The maximum capacity is set at 1.36 MBtu/h. Overfiring in fresh air heating application is possible (up to 20%). For low oxygen recirculating applications we advise to limit the max.capacity per foot to 1 MBtu/hr, with n = 1.3
- [4] Pressure differential between burner test connection and combustion chamber for propane/butane to be used for burner commissioning - SP burner (Standard Pressure drillings). Actual pressure differential at burner gas inlet is approx. 5 % higher.
- [5] Pressure differential between burner test connection and combustion chamber for natural gas to be used for burner commissioning - LP burner (Low Pressure drillings). Actual pressure differential at burner gas inlet is 5 % higher.
- [6] Differential combustion air pressure between burner air test connection and combustion chamber for commissioning.
- [7] Typical differential combustion air pressure for 5 ft APX™ to be used for blower selection.
- [8] Advised combustion air flow and air factor "n" for best burner performance. For recirculating air heating with low oxygen, advised air factor is 20 % higher (n >= 1.1 for fresh air firing, n >= 1.3 for recirculating processes).
- [9] Typical flame length for shown air amount and capacity. Flame length may vary as a function of process air flow distribution, velocity, temperature, oxygen level etc. Contact MAXON for more information.

MATERIALS OF CONSTRUCTION



1)	Air/gas mixing body	Aluminum
2)	Mixing plates	AISI 430 (1.4016)
3)	Endplate	Cast iron or AISI 304 (1.4301)
4)	Sideplate	Galvanized or AISI 430 (1.4016)

SELECTION CRITERIA

Application details

The MAXON APX™ nozzle-mix line burner has been especially designed for low temperature air heating applications, where standard raw gas line burners (MAXON "NP" AIRFLO®) are not suitable.

Thanks to its unique single-piece air/gas mixing body, APX™ strongly differentiate from the regular "box burner", with excellent flame stability and flexibility, also in high modulating and/or low oxygen process air flows.

Basically, APX™ is available in two main versions.

A wall-mounted APX™ to be externally mounted on the oven or dryer wall. Thanks to the flame that exits the mixing chamber more than 0.5 ft downstream from the burner mounting flange, it is possible to penetrate oven panels up to 0.5 ft thickness without risking damage to oven structure from flame impingement.

The in-duct APX™ is installed inside the dryer or make-up air unit to heat-up low temperature process air flows.

Available APX™ versions and options

The two basic APX™ versions, wall-mounted and in-duct, are available in several variations. Below tables give an overview of the different options of each version.

Note that wall-mounted APX™ burners are always mounted on suction side of circulating fans, or in balanced ducts.

Whether slot or continuous flange mounted burner should be selected depends upon the desired amount of cooling/purge air around the burner.

The packaged blower option is not available on the EC-market. For EC-market, same execution can be achieved by selecting the external blower option, and mounting an appropriate European blower direct onto the air inlet connection of the burner.

NOTE: To comply with local codes and directives, special provisions may be required to correctly safeguard the minimum combustion air pressure in case multiple blowers are mounted on the burner.

Wall-mounted APX™ "WM" [1]			
Slot-mounted "SM"		Continuous flange mounted "CF"	
Packaged blower "PB"	External blower "EB"	Packaged blower "PB"	External blower "EB"
0.5 ft to 5 ft Straight [2][3]	1 ft to 5 ft Straight [2]	0.5 ft to 5 ft Straight [2][3]	1 ft to 5 ft Straight [2]
5.5 ft to 15 ft Straight [2][3]	5.5 ft to 15 ft Straight [2]	5.5 ft to 15 ft Straight [2][3]	5.5 ft to 15 ft Straight [2]
NA	(1 x 1) to (1 x 2.5) ft H [2][4]	NA	(1 x 1) to (1 x 2.5) ft H [2][4]
NA	(2 x 1) to (2 x 2.5) ft H [2][4]	NA	(2 x 1) to (2 x 2.5) ft H [2][4]
NA	(3 x 1) to (3 x 3.5) ft H [2][4]	NA	(3 x 1) to (3 x 3.5) ft H [2][4]

[1] All burners are available with constant or modulated combustion air flow. All burners are available with SP and LP drillings (standard pressure / low pressure - see tables page 6 and page 7).

[2] Available in increments of 0,5 feet (0.5 / 1 / 1.5 / 2 ft,etc.).

[3] Not available on EC-market.

[4] H-style burners. Contact MAXON for other grid configurations.

Example: "APX™ SM-EB-SP-7.5 ft STRAIGHT"

= wall-mounted APX™ of 7.5 ft straight, slot mounted for external blower, with standard pressure drillings.

In-duct APX™ "ID" [1]		
Packaged blower "PB"	External blower "EB"	Slide-in-unit "SU"
0.5 ft to 5 ft Straight [2][3]	0.5 ft to 5 ft Straight [2]	0.5 ft to 5 ft Straight [5]
5.5 ft to 15 ft Straight [2][3]	5.5 ft to 15 ft Straight [2]	5.5 ft to 15 ft Straight [5]
NA	(1 x 1) to (1 x 2,5) ft H [2][4]	NA
NA	(2 x 1) to (2 x 2,5) ft H [2][4]	NA
NA	(3 x 1) to (3 x 3,5) ft H [2][4]	NA

[1] All burners are available with constant or modulated combustion air flow. All burners are available with SP and LP drillings (standard pressure / low pressure - see tables page 6 and page 7).

[2] Available in increments of 0.5 feet (0.5 / 1 / 1.5 / 2 ft,etc.).

[3] Not available on EC-market.

[4] H-style burners. Contact MAXON for other grid configurations.

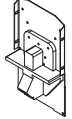
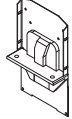
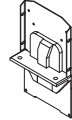
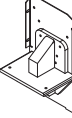
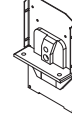




[5] In-duct APX™ "Slide-in-units" with mounting plug or plate to be flanged onto the duct.

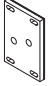
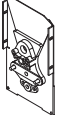

Example: "APX™ ID-SU-LP-14 ft STRAIGHT"

= in-duct APX™ burner slide-in-unit of 14 ft with low pressure drillings.

Endplate set options

Different types of endplates are available for MAXON APX™ burners.
Refer to the table below for selection of the most appropriate pilot endplates.

Overview of Endplate set options for MAXON APX™ burners				
Description	Designation [1]	Wall-mount	In-duct	3D-View
Raw gas pilot endplate set with air by-pass (incl. SI, pilot gas connection, FR or provision for UV-scanner) [2]	FIG1-FR	yes	no	
	FIG1-UV	yes	no	
Endplate set with FR only	FIG2-FR	yes	yes	
Endplate set with sight glass only	FIG2-SG	yes	yes	
Plain endplate set	FIG2-PLN	yes	yes	
Endplate set for direct ignition (with SI only)	FIG3-SI	yes	yes	
Raw gas pilot endplate set (incl. SI, FR or provision for UV-scanner)	FIG4-FR	yes	no	
	FIG4-UV	yes	no	
In-duct raw gas pilot endplate set (incl. SI, FR or provision for UV-scanner)	FIG5-FR	no	yes	
	FIG5-UV	no	yes	
	FIG5FRCART	no	yes	
	FIG5UV CART	no	yes	
In-duct feed through raw gas pilot endplate set [3]	FIG6-FR	no	yes	
	FIG6-UV	no	yes	
Endplate set (incl. SI, pilot gas connection, and provision for UV scanner)	FIG7-UV	yes	yes	
External mounting plate kit for external UV/FR and external SI	EMP-EXT	no	yes	

Overview of Endplate set options for MAXON APX™ burners (Continued)				
Description	Designation [1]	Wall-mount	In-duct	3D-View
External mounting plate kit for internal UV/FR and internal SI	EMP-INT	no	yes	
In-duct endplate set for direct ignition (incl. SI, FR and provision for UV) [4]	NP-EP SI FR/UV	no	yes	
In-duct plain endplate set [5]	NP-EP PLN	no	yes	

[1] Refer to tables on page 16 and page 17 for information on SI and flame rods included in each endplate.

[2] Use this pilot endplate set on stable back-pressure application only. When fluctuating oven pressures can be expected, use FIG.4.

[3] Select these endplate sets when externally mounted SI and FR/UV are required, or to prevent the use of ignition and/or ionization cable inside the duct (internally mounted SI and FR). To be used together with the external mounting plate sets EXT-MTG.

[4] Direct ignition endplate set to accommodate SI and FR/UV on 1 single endplate set (standard not possible for wall-mounted burners - contact MAXON).

[5] To be selected together with NP-EP SI FR/UV.

APX™ endplate accessories (included in the endplate assembly)

Accessories included in the endplate sets, except not when explicitly written						
Endplate set	Flame rod	UV-tube [1]	Spark ignitor	Adjustable orifice	Gas test port	
FIG1-FR [4]	FR-APX	NA	SI-APX-10mm	AO-3/8" NPT	NA	
FIG1-UV [4]	NA	NA	SI-APX-10mm	AO-3/8" NPT	NA	
FIG2-FR	FR-APX	NA	NA	NA	1/8" NPT	
FIG2-SG	NA	NA	NA	NA	1/8" NPT	
FIG2-PLN	NA	NA	NA	NA	1/8" NPT	
FIG3-SI	NA	NA	SI-APX-14mm-L	NA	1/8" NPT	
FIG4-FR	FR-APX	NA	SI-APX-1/2-14	AO-3/8" NPT	NA	
FIG4-UV	NA	UVT-1 [1]	SI-APX-1/2-14	AO-3/8" NPT	NA	
FIG5-FR	FR-APX	NA	SI-APX-14mm-S	AO-3/8" NPT [8]	1/8" NPT	
FIG5-UV	NA	UVT-2 [1]	SI-APX-14mm-S	AO-3/8" NPT [8]	1/8" NPT	
FIG5FRCART	FR-APX	NA	SI-APX-14mm-S	AO-3/8" NPT [8]	1/8" NPT	
FIG5UVCART	NA	UVT-2	SI-APX-14mm-S	AO-3/8" NPT [8]	1/8" NPT	
FIG6-FR [5]	[2] [5]	NA	[3] [5]	AO-3/8" NPT	1/8" NPT	
FIG6-UV [5]	NA	UVT-2 [1]	[3] [5]	AO-3/8" NPT	1/8" NPT	
FIG7-UV	NA	UVT-2 [1]	SI-APX-14mm-S	AO-3/8" NPT	1/8" NPT	
NP-EP SI FR/UV[6][7]	NA	NA	SI-APX-14mm-L	NA	1/8" NPT	
NP-EP PLN [7]	NA	NA	NA	NA	NA	

[1] Only applicable for US-supplies (spark excitation).

[2] Select correct flame rod from table "Feed thru flame rods" on page 17.

[3] Select correct spark ignitor from table "Feed thru spark ignitors" on page 16.

[4] These endplate sets include a pilot nozzle and air shutter to adjust the bypass pilot air.

[5] Feed thru endplate sets FIG6 do not include SI/FR. For fresh air applications, standard spark ignitor (SI-APX-4 in.) and standard flame rod (FR-APX) can be selected. Both the standard SI/FR or the feed thru SI/FR have to be added separately.

[6] This endplate set allows direct ignition on in-duct APX™ burners; SI and flame detection can be mounted on this endplate.

[7] For EC-market only.

[8] Endplate tap is 1/4" but a nipple and a reducer (may be shipped loose) allows you to use a 3/8" NPT pilot.

Process temperature

Max. upstream process air temperature	480 °F
Max. downstream process air temperature at low fire	570 °F
Max. downstream process air temperature at high fire	750 °F

Special attention should be paid when selecting the burner to avoid downstream process air temperatures above 570 °F at low fire. Higher temperatures at minimum burner capacity may dramatically reduce life-time of the burner. At higher capacity, the burner parts are better cooled by the air and gas flow, and allow much higher downstream temperatures.

The slide-in-units APX™ can accept in specific circumstances higher process temperatures, both upstream and downstream of the burner. Contact MAXON for more information.

Combustion air requirements

MAXON APX™ burners are fed with clean fresh combustion air containing 21 Vol % oxygen and a maximum temperature of 120 °F.

In some installations, the use of higher temperature combustion air, or combustion air containing slightly lower oxygen levels, may be possible. This should be considered case by case. Contact MAXON for more information.

Modulated or constant combustion air

All MAXON APX™ burners can operate with constant or fixed air flow, as well as with modulated air flow.

At constant air flow, the required differential combustion air pressure (refer to table on page 8, page 9 and page 10) is set by a fixed air damper (burner air inlet or fan) and the combustion air flow through the burner is constant for all burner firing rates (always maximum air flow).

At modulating air flow, an additional air control valve is adjusting the combustion air in function of burner capacity.

The choice of whether constant or modulated air flow should be selected highly depends on the application and the desired emissions on CO and NO_x. Refer to “Expected Emissions” on page 17 for more details.

Ratio control

In case the burner is operated with modulated air flow, best performance is realized when the burner is adjusted with ratios as indicated in the table on page 8 and page 9. This can be achieved with MAXON MICRO-RATIO® valves or SMARTLINK® MRV.

Changes of combustion air temperature, system back pressure variations, and other parameters could influence gas/air ratio if the control system is not designed for compensation. Contact MAXON for more information.

Process air flow velocity and oxygen content

	IN-DUCT (parallel velocity)	WALL- MOUNTED (cross velocity)
Min. process air velocity [1]	6 ft/s	6 ft/s
Max. process air velocity	26 (65) ft/s [2]	20 (30) ft/s [3]
Min. process air oxygen level [4]	3 - 6 Vol %	3 - 6 Vol %

- [1] A minimum parallel process flow for in-duct burners and cross process flow for wall-mounted burners is required. Burners shall not fire without process flow. Advised minimum velocity shall be above 6 ft/s.
- [2] Optimal burner performance of in-duct APX™ burners will be realized with a uniform process air velocity around the flame between 6 ft/s and 26 ft/s. Higher process air velocities are possible (up to 65 ft/s), however may influence emissions of CO (see page 17).
- [3] Higher cross-velocities (up to 29.5 ft/s) will quench the flame and affect emissions (CO). The use of a flame protection shield is advised to limit CO. Contact MAXON for more information.
- [4] Depending on temperature, capacity and excess air, MAXON APX™ burners can fire in almost inert process air environment.

Process back pressures

Max. process back-pressure - wall-mounted APX [1]	-2" wc to balanced
Max. process back-pressure - in-duct APX [2]	-40" wc to +40" wc
Max. process back-pressure - in-duct APX slide-in unit [3]	-12" wc to +12" wc

- [1] Wall-mounted burners can only fire in ducts under suction or in balanced atmospheres. Ducts in overpressure should be avoided.
- [2] All in-duct burners, except the slide-in-unit design. Special considerations to be taken for the design of combustion air fan in case of higher back-pressures.
- [3] Higher back-pressures are possible when the plug and airbox are reinforced. Contact MAXON for more information.

Piloting & ignition

APX™ burners, equipped with one of the raw gas pilot endplate sets (see table on page 12), will generate a stable pilot flame, used to ignite the burner on main flame. After the main burner is ignited, the pilot shall be interrupted. Permanent pilot is not advised. Use the main burner at minimum capacity for continuous operation.

Direct ignition of APX™ burners is also possible, if accepted by local codes. Note that only in-duct APX™ burners offer direct ignition endplates which accommodate spark ignitor and flame detection in the same endplate set. Direct ignition wall-mounted burners need 1 endplate set for the SI and another endplate set to mount the flame detector.

For both pilot and direct ignition, use ignition transformers min. 5000 V - 20 mA.

Available spark ignitors

Spark ignitors are included into the pilot endplate sets, except for FIG6 endplates. Refer to table on page 12 for exact information.

Below table will help you with the selection of the appropriate feed thru spark ignitors (in combination with FIG6 endplate set and external mounting plate (EMP)).

Feed thru ignitors with carbon steel tube		Feed thru ignitors with stainless steel tube		Spark ignitors only (without tube)	
12" CS QI	12" CS quartz ignitor	12" SS QI	12" SS quartz ignitor	12" QI L/T	12" quartz ignitor
18" CS QI	18" CS quartz ignitor	18" SS QI	18" SS quartz ignitor	18" QI L/T	18" quartz ignitor
24" CS QI	24" CS quartz ignitor	24" SS QI	24" SS quartz ignitor	24" QI L/T	24" quartz ignitor
30" CS QI	30" CS quartz ignitor	30" SS QI	30" SS quartz ignitor	30" QI L/T	30" quartz ignitor
36" CS QI	36" CS quartz ignitor	36" SS QI	36" SS quartz ignitor	36" QI L/T	36" quartz ignitor
48" CS QI	48" CS quartz ignitor	48" SS QI	48" SS quartz ignitor	48" QI L/T	48" quartz ignitor

NOTE: Select your spark ignitor in function of the required length (12" to 48" in steps of 6").

Typical ignition sequence (with pilot)

- Pre-purge of burner and combustion chamber, according to the applicable codes and the installation's requirements.
- Gas control valve shall be in the minimum position.
- APX burners with modulated combustion air shall have the combustion air valve (linked with the gas control valve) also in the corresponding minimum position to allow minimum combustion air flow to the burner.
- Pre-ignition (typically 2 s sparking in air).
- Open pilot gas and continue to spark the ignitor (typically 5 s to 10 s depending on local code requirements).
- Stop sparking, continue to power the pilot gas valves and start flame check. Trip burner if no flame detected from here on.
- Check pilot flame stability (typically 5 s to 10 s to prove stable pilot).
- Open main gas valves and allow enough time to have main gas in the burner (typically 5 s + time required to have main gas in the burner).
- Close the pilot gas valves.
- Release to modulation (allow modulation of the burner).

Above sequence shall be completed to include all required safety checks during the start of the burner (process & burner safeties). We advise to position 1 pilot gas valve as close as possible to the pilot burner gas inlet for fast ignition of the pilot burner.

Flame supervision

The flame of APX™ burners can be supervised with a flame rod or UV-scanner.

Depending on the application, different versions of endplate sets accommodating different types of flame rods can be selected. Refer to table page 12 (Overview of endplate set options) and table page 14 (APX™ accessories) for more information.

For poor quality propane, LPG or butane, we advise to use UV-scanners only.

Only use the appropriate positions on the MAXON endplate sets for correct and safe flame supervision. Every other position is not acceptable and may cause unsafe situations.

Refer to the user manual of the UV-scanner for correct installation and operating instructions.

Available flame rods

Also flame rods are included into the pilot endplate sets, except for FIG6 endplates. Refer to table page 12 for exact information.

Below table will help you with the selection of the appropriate feed thru flame rods (in combination with FIG6 endplate set and external mounting plate (EMP)).

Feed thru ignitors with carbon steel tube		Feed thru ignitors with stainless steel tube		Spark ignitors only (without tube)	
12" CS FR	12" CS quartz flame rod	12" SS FR	12" SS quartz flame rod	12" FR L/T	12" quartz flame rod
18" CS FR	18" CS quartz flame rod	18" SS FR	18" SS quartz flame rod	18" FR L/T	18" quartz flame rod
24" CS FR	24" CS quartz flame rod	24" SS FR	24" SS quartz flame rod	24" FR L/T	24" quartz flame rod
30" CS FR	30" CS quartz flame rod	30" SS FR	30" SS quartz flame rod	30" FR L/T	30" quartz flame rod
36" CS FR	36" CS quartz flame rod	36" SS FR	36" SS quartz flame rod	36" FR L/T	36" quartz flame rod
48" CS FR	48" CS quartz flame rod	48" SS FR	48" SS quartz flame rod	48" FR L/T	48" quartz flame rod

NOTE: Select your flame rod in function of the required length (12" to 48" in steps of 6").

Flame development

Tables page 8, page 9 and page 10 are giving typical flame length of MAXON APX™ burners for the shown combustion air amount, burner capacity and application (fresh air versus recirculating air).

Note that flame length is influenced by different factors, such as:

- Excess air factor (higher excess air will reduce flame length)
- Process air velocity (higher velocity will reduce flame length)
- Type of fuel (butane flames will typically be longer than natural gas flames)
- Burner length (shorter burners will give shorter flame lengths)
- Air distribution at the burner inlets - see "Piping" below.

In case the burner is fired with low excess air in low oxygen environment, flame may become quite radiant. Take this into consideration for the design of combustion chambers (choice of materials, distance to the wall, expansion allowance).

Contact MAXON for more information.

Piping

Except for the slide-in-units where the air and gas distribution is incorporated into the burner design, special attention should be paid to the execution of air and gas manifolds feeding the air and gas inlet(s) of all the other APX™ burner versions.

Common engineering practice should be followed to equally feed the burner at each air and gas connection. Prevent too high velocities which may cause unequal pressure build-up. Burner and piping shall be independently supported to allow for thermal expansion, to prevent any stress on the burner inlets and to prevent the transmission of vibrations.

Fuels

MAXON APX™ burners can fire natural gas, propane, butane and LPG and are able to fire multiple fuels simultaneously, if the control system is properly designed.

Alternative fuels may be possible. Contact MAXON for more information.

Expected Emissions

The clean hot air generated by MAXON APX™ burners meets most of the local requirements of make-up air systems, over the full turndown of the burners.

Also in low temperature ovens and drying systems, MAXON APX™ burners are able to fire with both low NO_x and CO, over its entire turndown, meeting the most stringent local emission requirements.

The production of pollutants can be highly dependant upon burner application and installation. Differing temperatures, process velocities, oxygen levels, fuels and other process related factors such as unequal process air distribution can all influence the actual level of emissions produced.

No guarantee of emissions is intended or implied on the above.

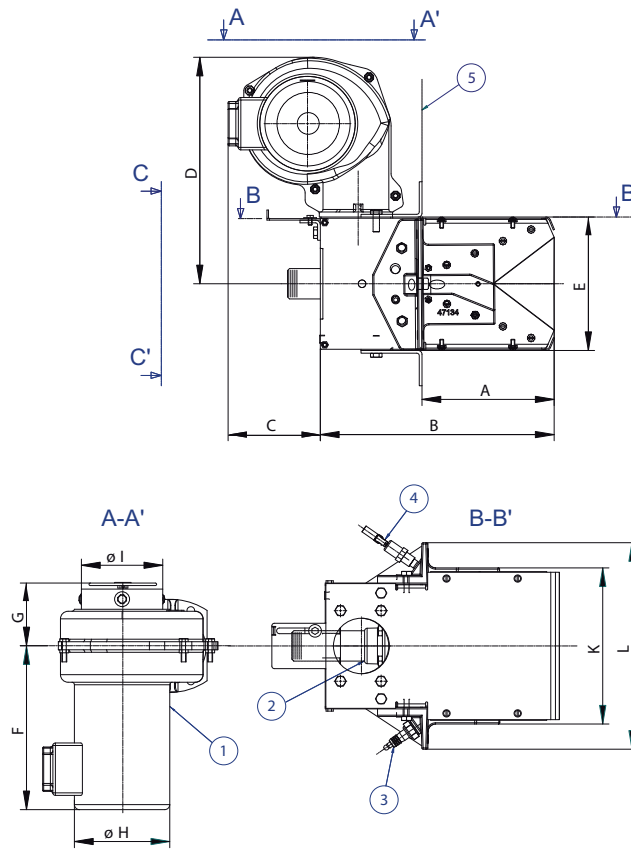
Contact MAXON for evaluation of expected emissions on your typical application.

DIMENSIONS AND WEIGHTS

0.5 ft packaged blower

This burner version includes a combustion air blower. This version is not suitable for the EC-market.

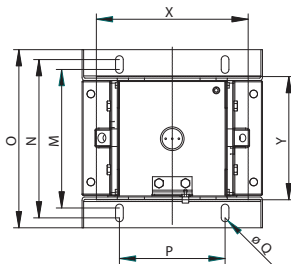
- 1) Combustion air blower
- 2) Main gas inlet flange 1" NPT
- 3) Spark ignitor
- 4) Flame rod
- 5) Burner mounting plane



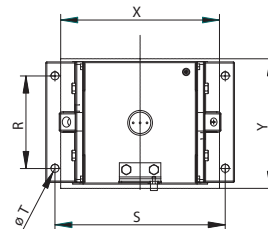
Dimensions in inches unless stated otherwise											
A	B	C	D	E	F	G	ØH	ØJ	K	L	
6.5	11.5	4.5	11.2	6.6	8.1	3.1	4.7	4	7.7	10.2	

Mounting arrangements (view C-C')

Continuous flange mounting

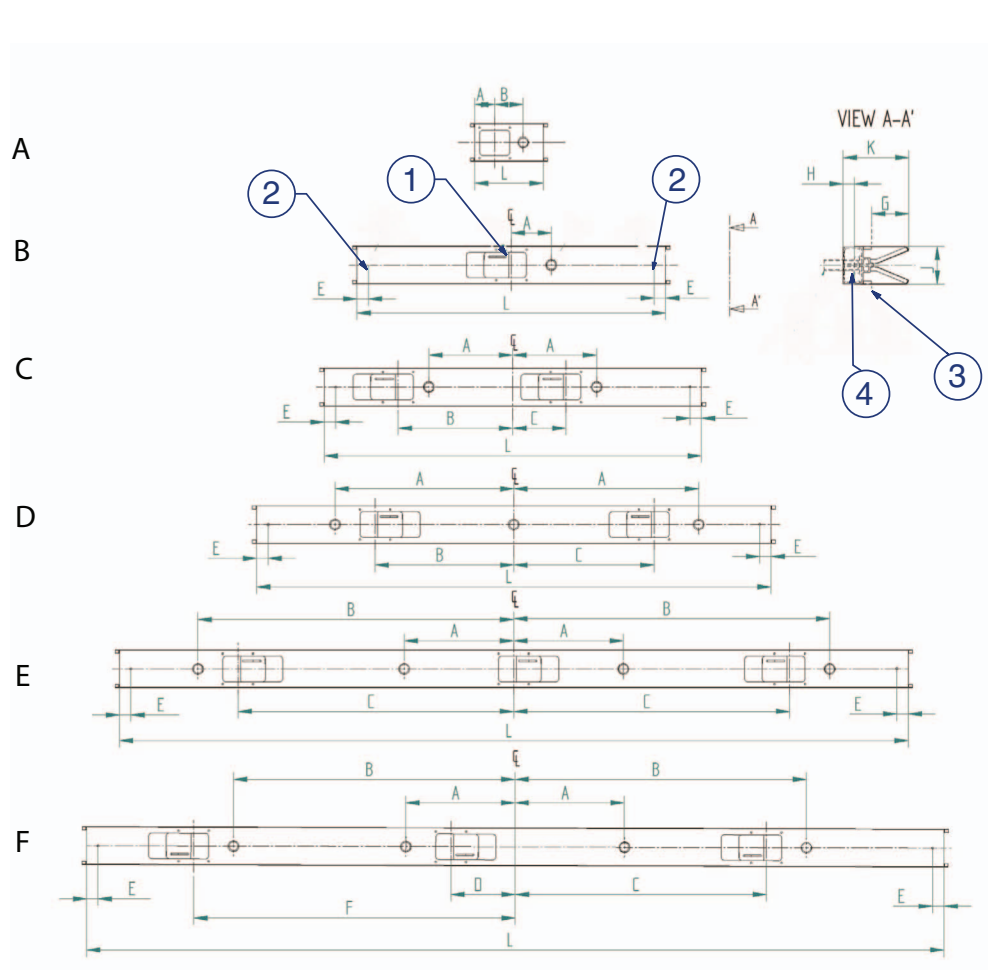


Slot mounting



Dimensions in inches unless stated otherwise									
M	N	O	P	ØQ	R	S	ØT	X	Y
7.9	9	10.1	6	0.438	5	9.2	0.438	8.6	7

1 ft to 15 ft external blower



- 6) Air inlet + shutter
- 7) Test connection
- 8) Mounting surface
- 9) Gas inlet flange 1-1/2" NPT

Dimensions in inches unless stated otherwise																		
burner size (ft)	1	1.5	2	2.5	3	3.5	4	5	6	7	8	9	10	11	12	13	14	15
sketch	A	B	B	B	B	B	B	B	C	C	D	D	D	D	E	F	F	E
A	3.5	7	7	7	7	7	7	7	25	18	36	36	36	36	18	18	18	21
B	5	-	-	-	-	-	-	-	18	25	29	24	29	29	54	54	54	63
C	-	-	-	-	-	-	-	-	18	11	29	24	29	43	47	47	47	56
D	-	-	-	-	-	-	-	-	-	-	-	-	-	-	-	11	11	-
E	-	2	2	2	2	2	2	2	2	2	2	2	2	2	2	2	2	2
F	-	-	-	-	-	-	-	-	-	-	-	-	-	-	-	61	61	-
G	6.5	6.5	6.5	6.5	6.5	6.5	6.5	6.5	6.5	6.5	6.5	6.5	6.5	6.5	6.5	6.5	6.5	6.5
H	2	2	2	2	2	2	2	2	2	2	2	2	2	2	2	2	2	2
J	6.6	6.6	6.6	6.6	6.6	6.6	6.6	6.6	6.6	6.6	6.6	6.6	6.6	6.6	6.6	6.6	6.6	6.6
K	11.5	11.5	11.5	11.5	11.5	11.5	11.5	11.5	11.5	11.5	11.5	11.5	11.5	11.5	11.5	11.5	11.5	11.5
L	13.5	19.5	25.5	31.5	37.5	43.5	49.5	61.5	73.5	85.5	97.5	109.5	121.5	133.5	145.5	157.5	169.5	181.5
weight (lbs)	14	21	27	34	41	49	55	68	82	95	109	123	136	150	164	177	191	205

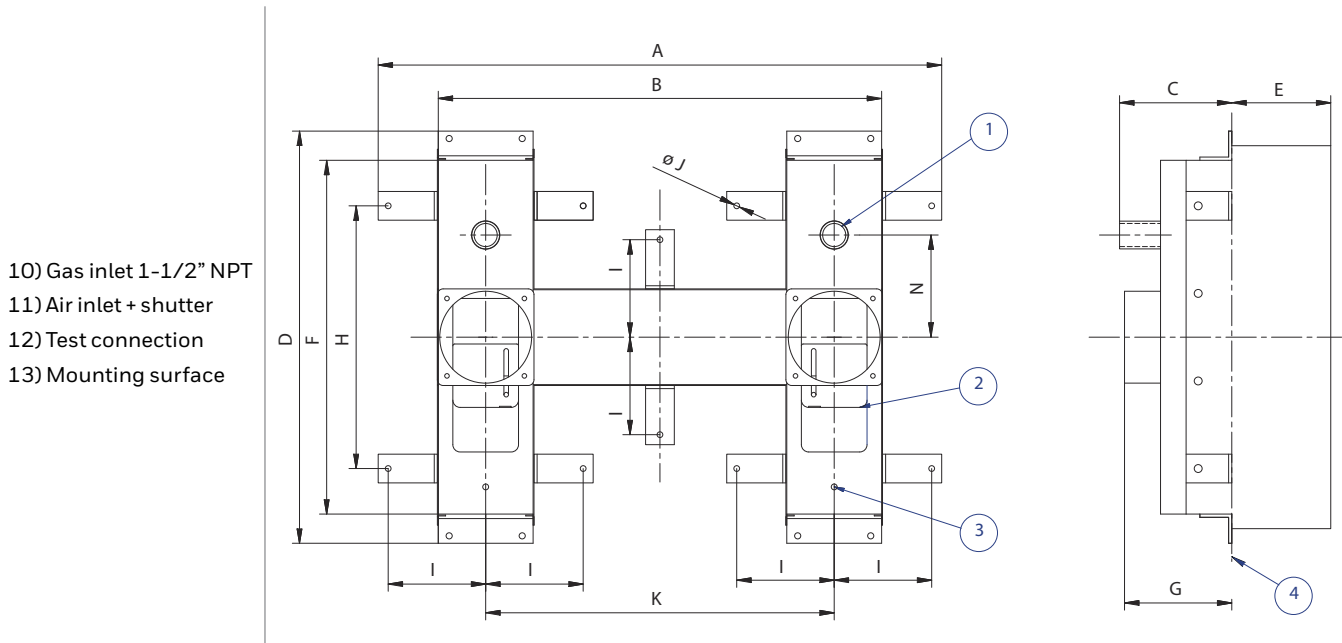
1 to 15 ft packaged blower (not for EC-market)

This modular straight burner includes one or more combustion air blowers. This version is not suitable for the EC-market.

The packaged burner dimensions are the same as those of the “external blower” version, see page 19.

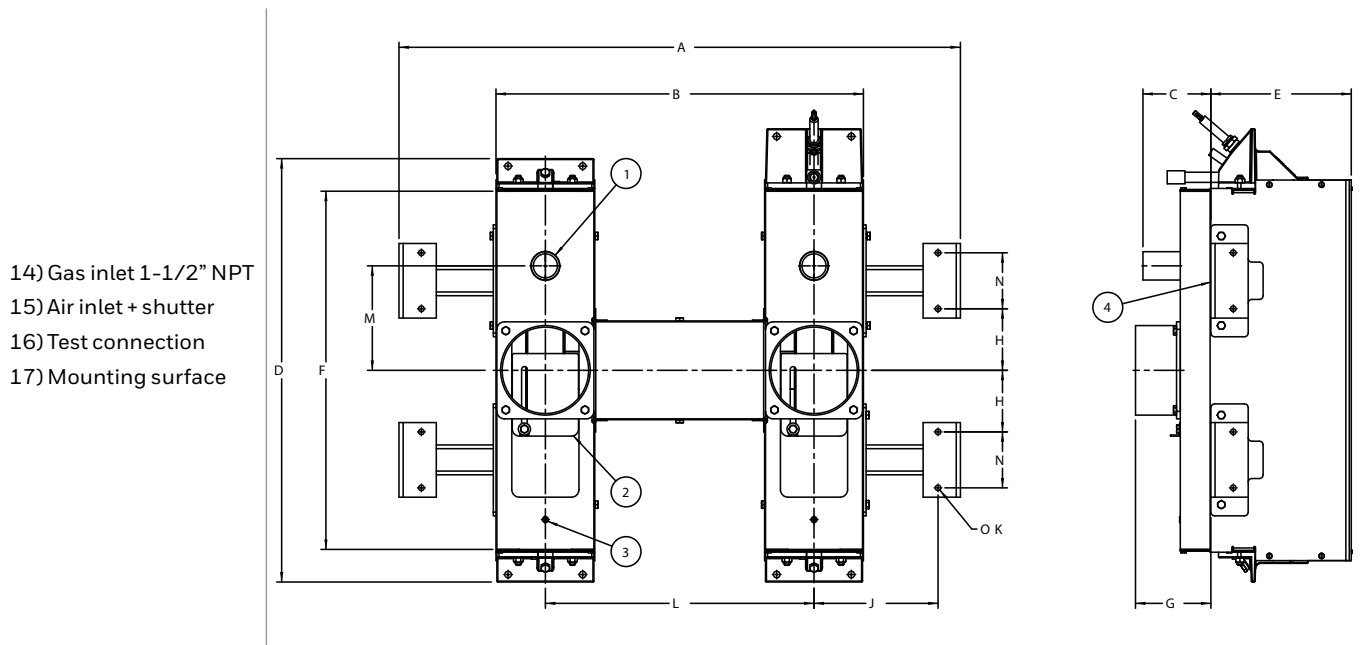
Additional to the “external blower” version, the packaged version has one or more combustion air blowers mounted directly on the back of the burner. For positions of these combustion air inlets see page 19. For dimensions of blowers, see page 33.

APX™ "H" Style burners - slot fired mounting



Dimensions in inches unless stated otherwise													
Burner size	A	B	C	D	E	F	G	H	I	Ø J	K	N	Weight (lbs)
1 x 1	26.62	18.5	7.5	16.24	6.45	12.24	8	6	6.68	0.4	12	2.5	41
1 x 1.5	32.62	24.5	7.5	16.24	6.45	12.24	8	6	6.68	0.4	18	2.5	48
1 x 2	38.62	30.5	7.5	16.24	6.45	12.24	8	6	6.68	0.4	24	2.5	54
1 x 2.5	44.62	36.5	7.5	16.24	6.45	12.24	8	6	6.68	0.4	30	2.5	61
2 x 1	26.62	18.5	7.5	28.24	6.45	24.24	8	18	6.68	0.4	12	7	68
2 x 1.5	32.62	24.5	7.5	28.24	6.45	24.24	8	18	6.68	0.4	18	7	75
2 x 2	38.62	30.5	7.5	28.24	6.45	24.24	8	18	6.68	0.4	24	7	82
2 x 2.5	44.62	36.5	7.5	28.24	6.45	24.24	8	18	6.68	0.4	30	7	88
3 x 1	26.62	18.5	7.5	40.24	6.45	36.24	8	30	6.68	0.4	12	7	95
3 x 1.5	32.62	24.5	7.5	40.24	6.45	36.24	8	30	6.68	0.4	18	7	102
3 x 2	38.62	30.5	7.5	40.24	6.45	36.24	8	30	6.68	0.4	24	7	109
3 x 2.5	44.62	36.5	7.5	40.24	6.45	36.24	8	30	6.68	0.4	30	7	116
3 x 3.5	56.62	48.5	7.5	40.24	6.45	36.24	8	30	6.68	0.4	42	7	129

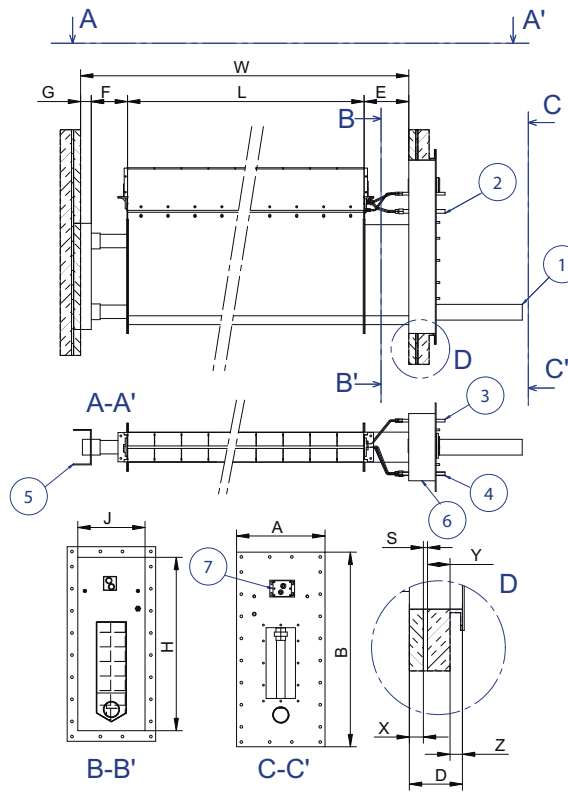
APX™ "H" Style burners - universal mounting



Dimensions in inches unless stated otherwise														
Burner size	A	B	C	D	E	F	G	H	J	Ø K	L	M	N	Weight (lbs)
1 x 1	31.62	18.5	4.5	16.24	9.4	12.24	5.1	.62	8.3	0.4	12.0	2.5	3.8	41
1 x 1.5	37.62	24.5	4.5	16.24	9.4	12.24	5.1	.62	8.3	0.4	18.0	2.5	3.8	48
1 x 2	43.62	30.5	4.5	16.24	9.4	12.24	5.1	.62	8.3	0.4	24.0	2.5	3.8	54
1 x 2.5	49.62	36.5	4.5	16.24	9.4	12.24	5.1	.62	8.3	0.4	30.0	2.5	3.8	61
2 x 1	31.62	18.5	4.5	28.24	9.4	24.24	5.1	4.1	8.3	0.4	12.0	7.0	3.8	68
2 x 1.5	37.62	24.5	4.5	28.24	9.4	24.24	5.1	4.1	8.3	0.4	18.0	7.0	3.8	75
2 x 2	43.62	30.5	4.5	28.24	9.4	24.24	5.1	4.1	8.3	0.4	24.0	7.0	3.8	82
2 x 2.5	49.62	36.5	4.5	28.24	9.4	24.24	5.1	4.1	8.3	0.4	30.0	7.0	3.8	88
3 x 1	31.62	18.5	4.5	40.24	9.4	36.24	5.1	10.1	8.3	0.4	12.0	7.0	3.8	95
3 x 1.5	37.62	24.5	4.5	40.24	9.4	36.24	5.1	10.1	8.3	0.4	18.0	7.0	3.8	102
3 x 2	43.62	30.5	4.5	40.24	9.4	36.24	5.1	10.1	8.3	0.4	24.0	7.0	3.8	109
3 x 2.5	49.62	36.5	4.5	40.24	9.4	36.24	5.1	10.1	8.3	0.4	30.0	7.0	3.8	116
3 x 3.5	61.62	48.5	4.5	40.24	9.4	36.24	5.1	10.1	8.3	0.4	42.0	7.0	3.8	129

APX™ Slide-in-units

- 18) Gas inlet
- 19) Pilot gas connection 1/2"
- 20) Combustion air test connection 1/4"
- 21) Gas test connection 1/4"
- 22) Burner support (custom made)
- 23) Burner mounting plug (custom made - drawing shows typical layout)
- 24) Mounting plate to be used in case of external ignitor and flame scanner option



Dimensions in inches unless stated otherwise															
Burner size	0.5	1	1.5	2	2.5	3	3.5	4	4.5	5	5.5	6	6.5	7	7.5
L	6	12	18	24	30	36	42	48	54	60	66	72	78	84	90
Gas inlet [1]	1"	1"	1 1/2"	1 1/2"	1 1/2"	1 1/2"	2"	2"	2"	2"	2 1/2"	2 1/2"	2 1/2"	2 1/2"	2 1/2"
A	16.54	16.54	16.54	16.54	16.54	16.54	16.54	16.54	16.54	16.54	16.54	16.54	16.54	20.47	20.47
B	24.41	24.41	28.35	28.35	28.35	28.35	36.22	36.22	36.22	36.22	36.22	36.22	36.22	44.09	44.09
J [2]	11.81	11.81	11.81	11.81	11.81	11.81	11.81	11.81	11.81	11.81	11.81	11.81	11.81	15.75	15.75
H [2]	19.69	19.69	23.62	23.62	23.62	23.62	31.50	31.50	31.50	31.50	31.50	31.50	31.50	39.37	39.37
weight (lbs)	129	147	157	174	185	199	242	254	268	281	294	307	389	404	422

Dimensions in inches unless stated otherwise															
Burner size	8	8.5	9	9.5	10	10.5	11	11.5	12	12.5	13	13.5	14	14.5	15
L	96	102	108	114	120	126	132	138	144	150	156	162	168	174	180
Gas inlet [1]	3"	3"	3"	3"	3"	3"	3"	4"	4"	4"	4"	4"	4"	4"	4"
A	20.47	20.47	20.47	20.47	20.47	20.47	20.47	20.47	20.47	20.47	20.47	20.47	20.47	20.47	20.47
B	44.09	44.09	44.09	44.09	44.09	44.09	44.09	44.09	51.97	51.97	51.97	51.97	51.97	51.97	51.97
J [2]	15.75	15.75	15.75	15.75	15.75	15.75	15.75	15.75	15.75	15.75	15.75	15.75	15.75	15.75	15.75
H [2]	39.37	39.37	39.37	39.37	39.37	39.37	39.37	39.37	47.24	47.24	47.24	47.24	47.24	47.24	47.24
weight (lbs)	440	455	471	572	594	616	632	651	715	735	755	775	794	815	832

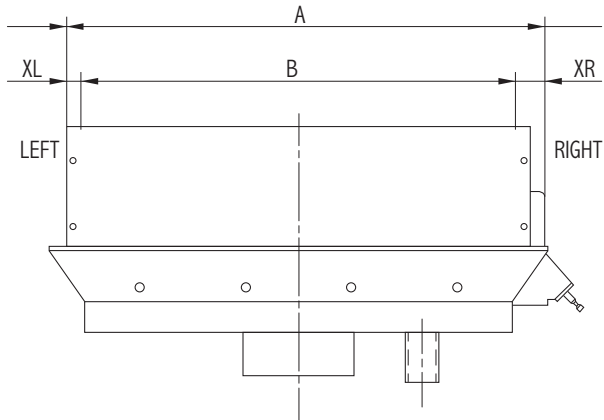
[1] Gas inlet connection standard ISO-threaded for sizes up to and including 2". Larger sizes standard have DIN PN10 flanged connections. NPT threaded and ANSI 150lbs flanges available on request.

[2] Plug to be mounted in an opening with min. dimensions J x H

For complete burner dimension information, the following application dependent dimensions should be defined:

- W: internal duct width
- D: max. 2 ft ($D = X + Y + Z + S$)
- X: internal insulation thickness
- Y: external insulation thickness
- Z: flange elevation (default = 4 in.)
- S: duct wall thickness
- E: min. 0.5 ft
- F: min. 0.5 ft
- G: default $G = X$

Wall mounting: opening dimensions

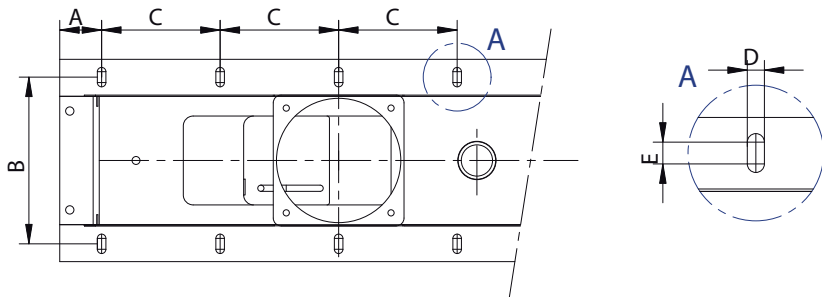


- A = wall opening, width
wall opening height = 7 in.
- B = burner nominal length (refer to burner dimensions on page 18)
- XL = endplate width mounted on left side of the burner
- XR = endplate width mounted on right side of the burner
- $A = B + XL + XR$
- XL and XR depend on the endplate type. Use the table below for determination.
- Note that Fig. 1 endplates need a special wall opening shape if full seal is required. Contact MAXON for details.

Dimensions in inches unless stated otherwise	
Endplate Fig. #	X
1	2.2
2, 3, 5, 6	1.3
4	3

Mounting flange dimensions

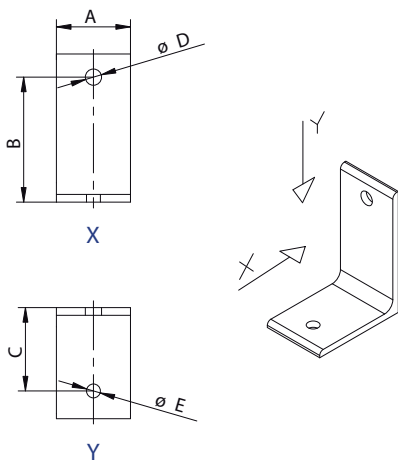
Use this sketch to determine fixing points for flange mounted burner parts.



Dimensions in inches unless stated otherwise				
A	B	C	D	E
2.1	8.4	6	0.4	0.6

Slot mounting tabs

These support tabs can be mounted at various locations on the burner body at 6 inch spacings. They are suggested to be used for burners longer than 4 ft. Burners with a maximum length of 4 ft can be supported using the fixation holes in the endplates.

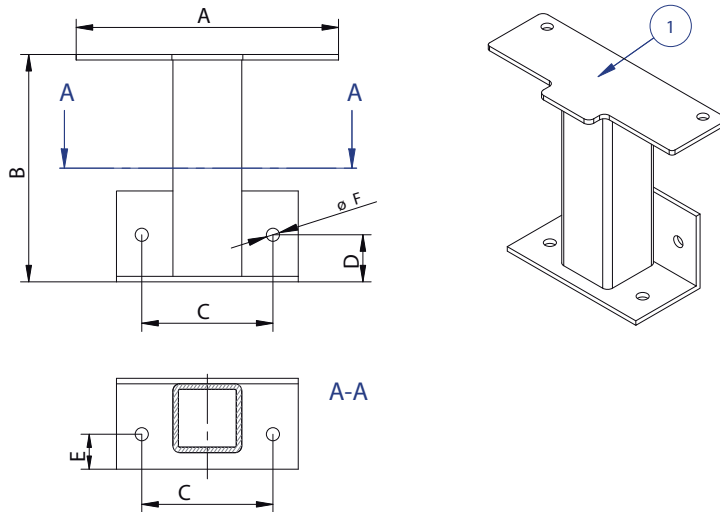


Dimensions in inches unless stated otherwise				
A	B	C	ØD	ØE
2	3.4	2.3	0.4	0.4

Universal mounting bracket

These brackets can be used to support burners in horizontal orientation (use 1 bracket per 5 ft burner) and in vertical orientations (use 1 bracket per 3 ft burner and install brackets on both sides of the burner).

1) Mounting surface to be attached to burner

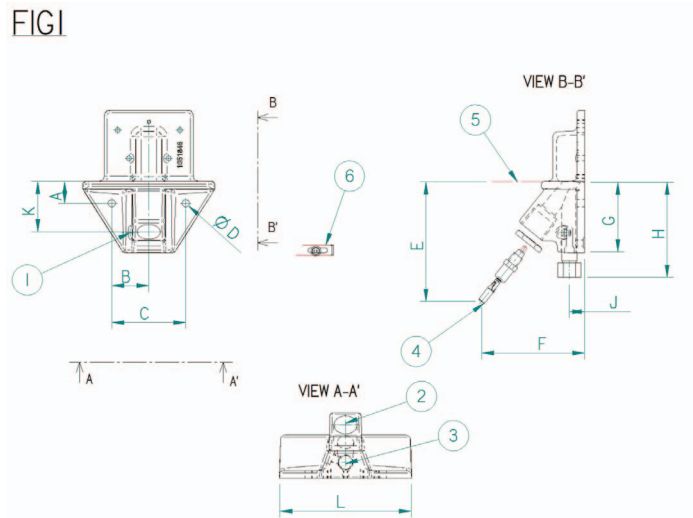


Dimensions in inches unless stated otherwise					
A	B	C	D	E	ØF
7.5	6.5	3.75	1.4	1	0.4

Endplates

FIG 1

- 1) Spark ignitor connection M10x1
- 2) UV/flame rod connection 1" NPT
- 3) Pilot gas connection 3/4-16 UNF
- 4) Flame rod
- 5) Mounting surface
- 6) Pilot air shutter

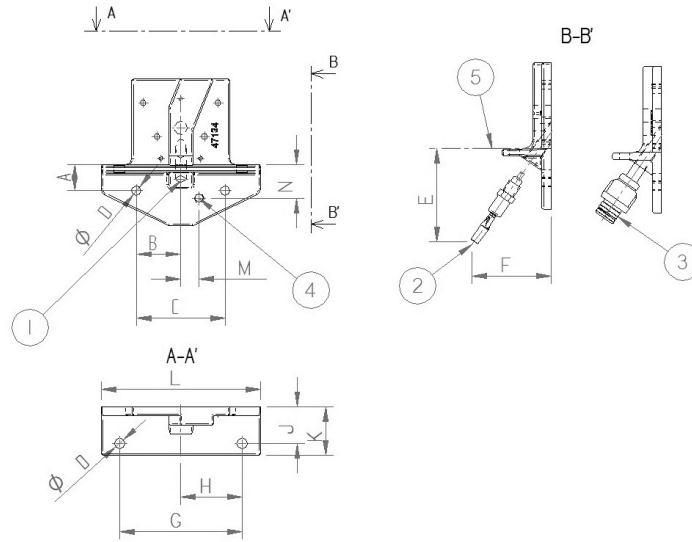


Dimensions in inches unless stated otherwise										
A	B	C	ØD	E [1]	F [1]	G	H	J	K	L
1.1	1.8	3.6	0.4	10.8	9.4	3.4	6.0	0.8	2.5	6.5

[1] Clearance for flame rod removal

FIG 2

- 1) Flame rod connection 1-1/4" NPT
- 2) Flame rod
- 3) Optional sight glass
- 4) Gas test connection 1/8" NPT
- 5) Mounting surface

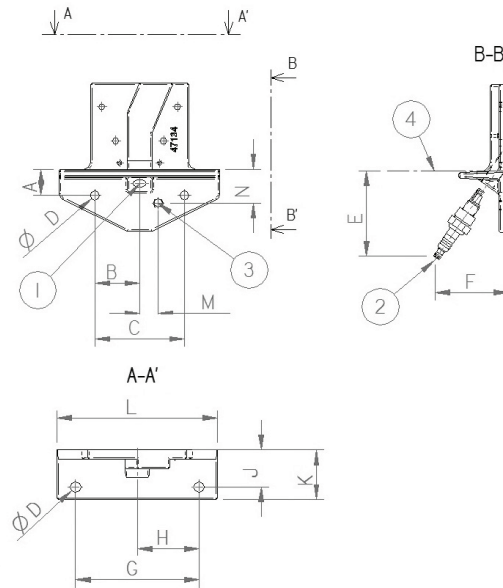


Dimensions in inches unless stated otherwise												
A	B	C	ØD	E [1]	F [1]	G	H	J	K	L	M	N
1.1	1.8	3.6	0.4	9.3	6.9	5	2.5	1.5	2	6.5	0.8	1.4

[1] Clearance for flame rod removal

FIG 3

- 1) Spark ignitor connection M14x1.25
- 2) Spark ignitor
- 3) Gas test connection 1/8" NPT
- 4) Mounting surface

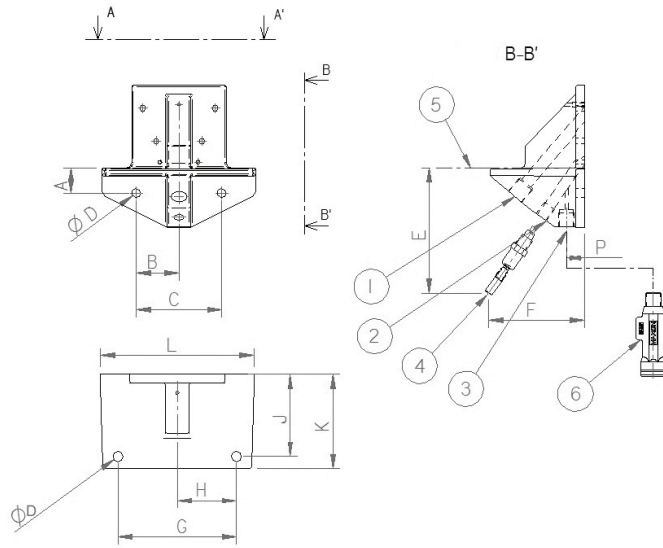


Dimensions in inches unless stated otherwise												
A	B	C	ØD	E [1]	F [1]	G	H	J	K	L	M	N
1.1	1.8	3.6	0.4	3.3	2.7	5	2.5	1.5	2	6.5	0.8	1.4

[1] Clearance for spark ignitor removal

FIG 4

- 1) Spark ignitor connection
1/2"-14 NPT
- 2) UV/flame rod connection
1/4"NPT
- 3) Pilot gas connection 3/8"NPT
- 4) Flame rod
- 5) Mounting surface
- 6) Pilot gas adjusting needle valve

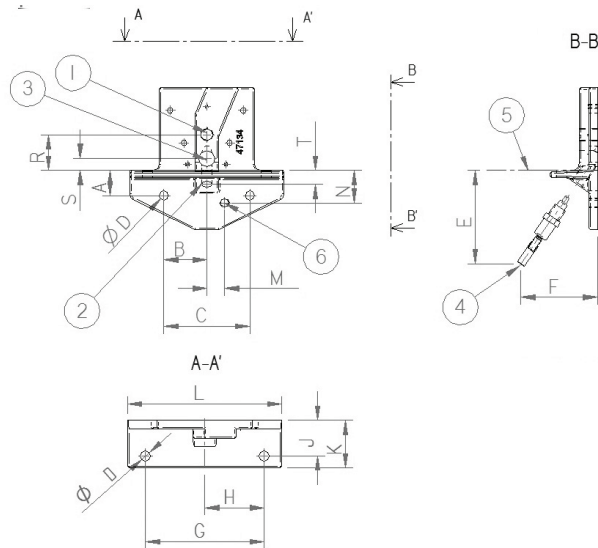


Dimensions in inches unless stated otherwise												
A	B	C	ØD	E [1]	F [1]	G	H	J	K	L	P	S
1.1	1.8	3.6	0.4	10.7	7.9	5.0	2.5	3.5	4.0	6.5	0.8	

[1] Clearance for flame rod removal

FIG 5

- 1) Spark ignitor connection
M14x1.25
- 2) UV/flame rod connection
1/4"NPT
- 3) Pilot gas connection 1/4"NPT
[1]
- 4) Flame rod
- 5) Mounting surface
- 6) Gas test connection 1/8"NPT



[1] NOTE : a 3/8" adjustable orifice is still used along with a nipple and a reducer.

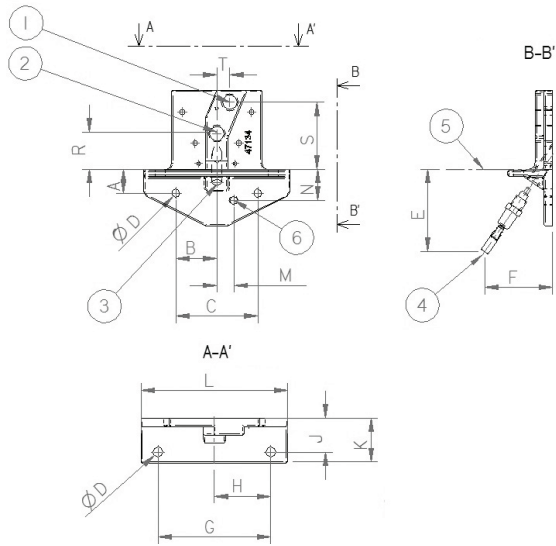
NOTE : FIG5FRCART and FIG5UVCART have an extra hole for a customer supplied cartridge heater.

Dimensions in inches unless stated otherwise															
A	B	C	ØD	E [1]	F [1]	G	H	J	K	L	M	N	R	S	T
1.1	1.8	3.6	0.4	9.3	6.9	5	2.5	1.5	2	6.5	0.8	1.4	1.5	0.5	0.6

[1] Clearance for flame rod removal

FIG 6

- 1) Spark ignitor connection 3/4" - 10UNC
- 2) UV/flame rod connection 3/4" - 10UNC
- 3) Pilot gas or local flame rod connection 1/4" NPT
- 4) Flame rod
- 5) Mounting surface
- 6) Gas test connection 1/8" NPT



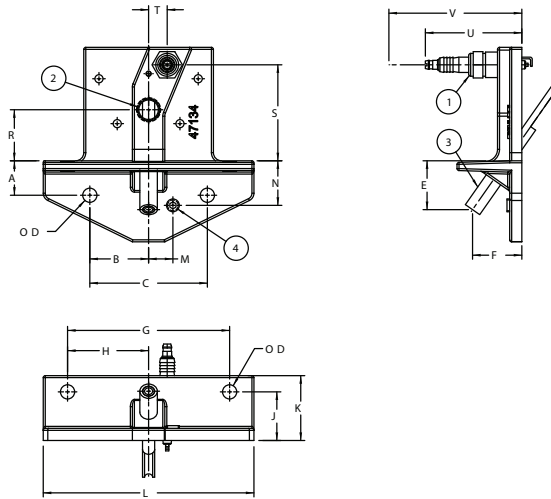
Dimensions in inches unless stated otherwise

A	B	C	ØD	E [1]	F [1]	G	H	J	K	L	M	N	R	S	T
1.1	1.8	3.6	0.4	9.2	7.0	5.0	2.5	1.5	2.0	6.5	0.8	1.4	1.6	3.0	0.6

[1] Clearance for flame rod removal

FIG 7

- 1) Spark ignitor connection M14 x 1.25
- 2) Pilot gas connection 3/8" NPT
- 3) UV scanner connection 1/4" NPT
- 4) Gas test connection 1/8" NPT



Dimensions in inches unless stated otherwise

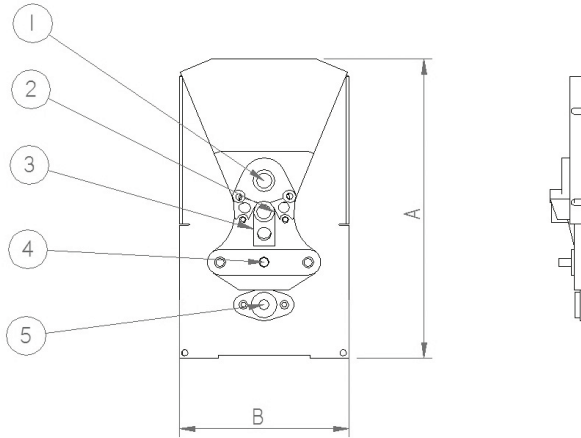
A	B	C	ØD	E	F	G	H	J	K	L	M	N	R	S	T	U	V [1]
1.1	1.8	3.6	0.4	1.5	1.5	5.0	2.5	1.5	2.0	6.5	0.8	1.4	1.6	3.0	0.6	3.0	4.1

[1] Clearance for spark ignitor removal

IN-DUCT ENDPLATE SET

- 1) Scanner connection Rp1/2"
Flame rod connection Rp1/4"
(bushed)
- 2) Spark ignitor connection M14x1.25
- 3) Pilot gas connection Rp 1/4"
- 4) Gas test connection 1/8"NPT
- 5) Combustion air test connection 1/8"
NPT

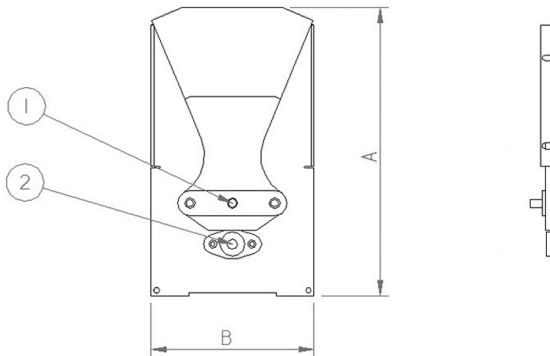
A = 11.5 in.
B = 6.5 in.



IN-DUCT PLAIN ENDPLATE SET

- 3) Gas test connection 1/8"NPT
- 4) Combustion air test connection 1/8"
NPT

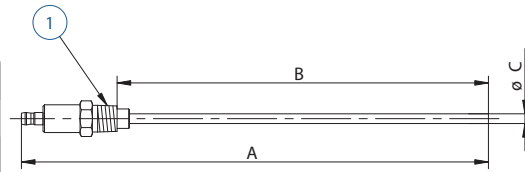
A = 11.5 in.
B = 6.5 in.



Flame rod - FR-APX

1) 1/4" - 18 thread

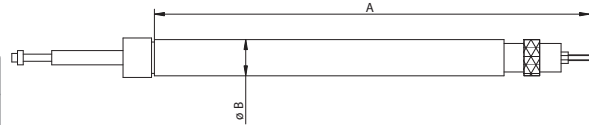
Dimensions in inches unless stated otherwise		
A	B	ØC
9.6	7.5	0.2



Flame rod - FR-Quartz

for use with external mounting plate kit.

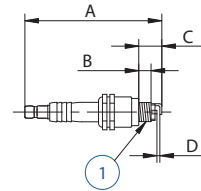
Dimensions in inches unless stated otherwise		
Size	A	ØB
12"	12	1
18"	18	1
24"	24	1
30"	30	1
36"	36	1
48"	48	1



Spark ignitor - SI-APX-10 mm

1) 10 mm thread

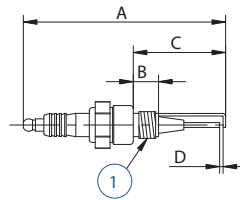
Dimensions in inches unless stated otherwise			
A	B	C	D
2.75	0.25	0.4	0.125



Spark ignitor - SI-APX-14 mm-Long

1) 14 mm thread

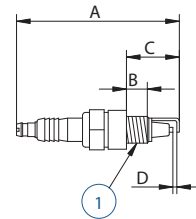
Dimensions in inches unless stated otherwise			
A	B	C	D
4.54	0.37	2.5	0.08



Spark ignitor - SI-APX-14 mm-Short

1) 14 mm thread

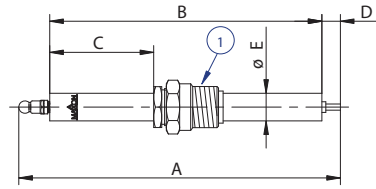
Dimensions in inches unless stated otherwise			
A	B	C	D
3.3	0.51	1.07	0.08



Spark ignitor - SI-APX-1/2-14

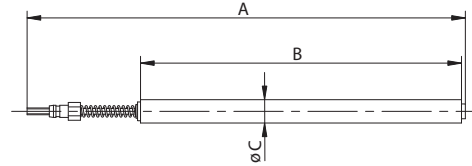
1) 1/2"-14 thread

Dimensions in inches unless stated otherwise				
A	B	C	D	ØE
6.5	5.51	1.25	0.375	0.56



Spark ignitor - quartz less tube

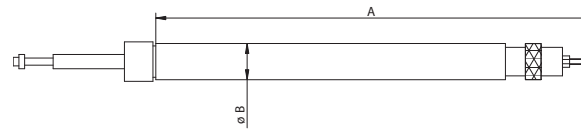
Dimensions in inches unless stated otherwise		
A	B	ØC
8.4	6.5	0.472



Spark ignitor - quartz with tube

Available in different sizes. Each size available in either carbon steel or stainless steel.

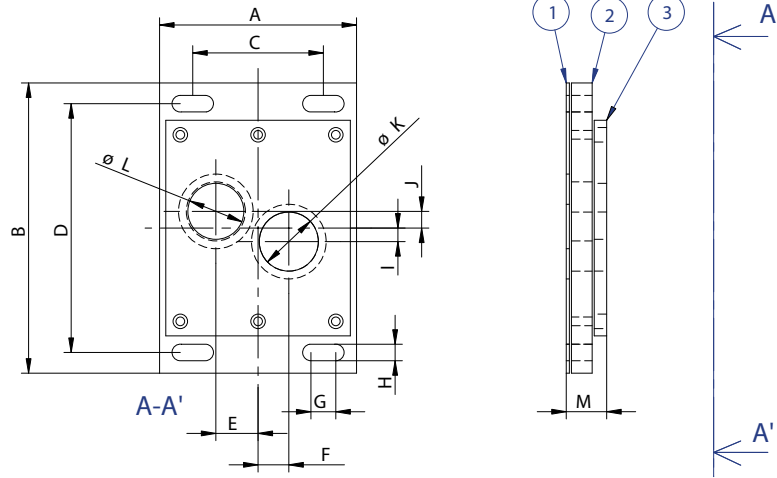
Dimensions in inches unless stated otherwise		
Size	A	ØB
12"	12	1
18"	18	1
24"	24	1
30"	30	1
36"	36	1
48"	48	1



Mounting plate kits for spark ignitor and flame detection

External SI/UV

- 2) Gasket
- 3) Cover plate
- 4) Sealing plate

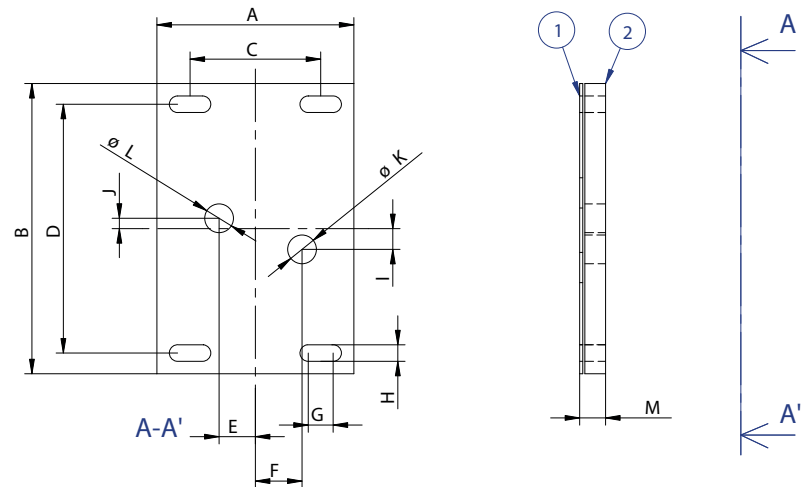


Dimensions in inches unless stated otherwise

A	B	C	D	E	F	G	H	I	J	ø K	ø L	M	Weight (lbs)
3.74	5.51	2.48	4.72	0.80	0.58	0.47	0.31	0.26	0.32	1.12	1.12	0.77	2.60

Internal SI/UV

- 1) Gasket
- 2) Cover plate

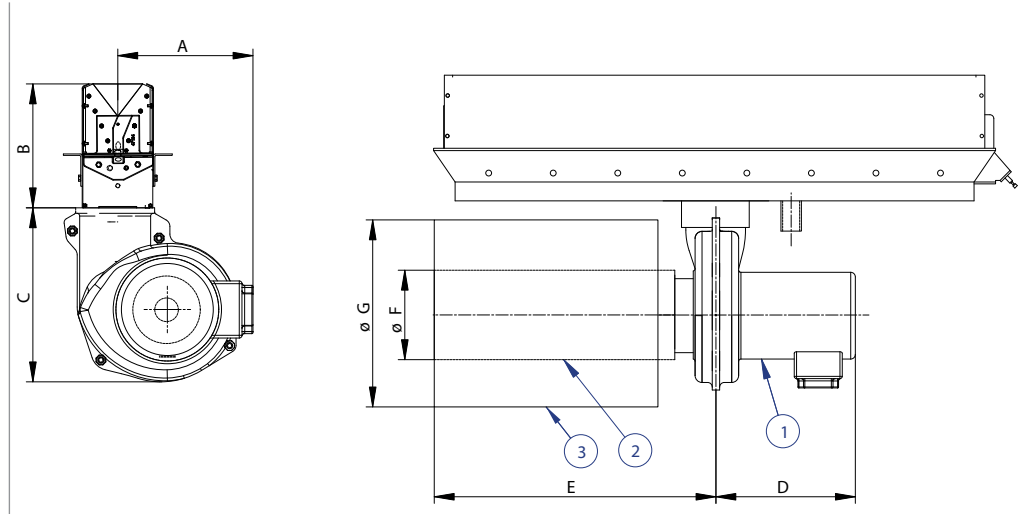


Dimensions in inches unless stated otherwise

A	B	C	D	E	F	G	H	I	J	ø K	ø L	M	Weight (lbs)
3.74	5.51	2.48	4.72	0.69	0.89	0.47	0.31	0.39	0.20	P _g 9	P _g 9	0.49	2.20

Blowers and accessories

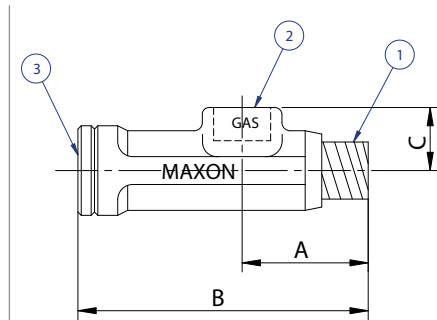
- 1) Blower
- 2) Filter
- 3) Silencer



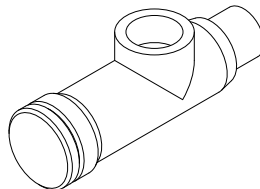
Dimensions in inches unless stated otherwise							
Burner size ft	A	B	C	D	E	ØF	ØG
1	12.7	11.5	15.2	14.4	20.3	7.0	11.8
1.5	12.7	11.5	15.2	14.4	20.3	7.0	11.8
2	16.4	11.5	19.0	14.6	20.5	7.0	11.8
2.5 through 15	16.4	11.5	19.0	14.6	27.8	9.0	16.4

Adjustable pilot gas orifice

- 1) Gas outlet 3/8" NPT
- 2) Gas inlet 3/8" NPT
- 3) Protection cap:
remove to access
flow adjustment screw
HEX 3.8 mm



- A = 1.5 in.
- B = 3.44 in.
- C = 0.75 in.



INSTALLATION AND OPERATING INSTRUCTIONS

Application requirements

View Port

A view port to inspect burner flame is essential to inspect flame aspect. It is recommended to install the view port downstream of the flame, such that the entire burner front can be observed, as well as the pilot burner.

Required ancillary equipment

Ensure that all required ancillary equipment for safe operation and correct performance of the APX™ burner is installed as described in the applicable codes and/or process-related instructions.

Position of the burner in the process flow

MAXON APX™ burners are designed for heating of a process flow in motion. Refer to table page 8 for minimum required process air velocity for in-duct and wall-mounted APX™ burners.

In-duct APX™ burners should be mounted so as to direct their flames parallel to and in the same direction as the movement of the process flow.

Wall mounted burners can be mounted perpendicular to the process flow, as long as the minimum and maximum velocities as indicated in table page 8 are respected. Too high velocities may result in diverged flame patterns, damaging combustion chamber or oven walls.

In both cases, the process flow upstream of the burner should be uniform (maximum deviation of velocity of approx. 20% in 90% of the points of a plane immediately in front of the burners).

Combustion chamber

APX™ burners may have in specific operating conditions (low oxygen or inert process air flows) quite luminous and radiant flames.

Special attention should be paid to the part of the duct covering the flame (combustion chamber). Especially in narrow ducts with flames close to the wall, it is essential to use correct materials and proper construction designs. Contact MAXON for more information.

INSTALLATION INSTRUCTIONS

Storage

APX™ burners should be stored dry (inside). Prevent that water and/or dust can penetrate into the burner manifold during storage.

Handling

APX™ burners are shipped as complete units. Handle the burner with care during unpacking, transport, lifting and installation. Use proper equipment. Any impact on the burner could result in damage.

Remove all plastic caps closing off gas and air connections of the burner prior to connecting it with the pipe-train and combustion air fan.

Orientation

APX™ burners can be mounted in any orientation (firing horizontally / vertically down and upwards).

Mounting

APX™ burners are equipped with a continuous mounting flange or with mounting tabs (see drawings on page 23 and page 24). Bolt the burner with this flange or mounting tabs onto the oven or duct. Tighten the bolts with correct torque and retighten all bolts after first firing and regularly after commissioning. Since wall-mounted APX™ burners are foreseen to operate under suction or in balanced atmospheres, the use of gaskets is not absolutely required, however not prohibited.

Standard in-duct APX™ burners (ID-PB & ID-EB) are hung in the duct with the mounting tabs as shown on drawings page 20 and page 24.

In-duct plug & play burners are equipped with a mounting plate or plug (see drawings page 22 and page 24). Bolt this mounting plug or plate onto the combustion chamber's mounting flange. Use proper gasket (available as an option). Tighten the bolts with correct torque and retighten all bolts after first firing and regularly after commissioning.

Use only the APX™ burner support supplied by MAXON for supporting the burner at the opposite side of the mounting plate/plug. This support is especially designed to give the burner sufficient flexibility during firing. Use of different kind of supports may damage or destroy the burner.

Refer to drawings on page 20 and page 22 for correct position of the burner support.

Hot surfaces



CAUTION

Burner parts in contact with the flame will become hot. Always wait for the burner system to cool down before cleaning.

In specific installations and/or operation modes, some accessible parts of the burner outside the oven or duct may become hot. If required, precautions should be taken to prevent burning injuries by contact with hot surfaces.

START-UP INSTRUCTIONS

Instructions provided by the company or individual responsible for the manufacture and/or overall installation of a complete system incorporating MAXON burners take precedence over the installation and operating instructions provided by MAXON. If any of the instructions provided by MAXON are in conflict with local codes or regula-

tions, please contact MAXON before initial start-up of equipment.



CAUTION

Read the combustion system manual carefully before initiating the start-up and adjustment procedure.

Verify that all of the equipment associated with and necessary to the safe operation of the burner system has been installed correctly, that all pre-commissioning checks have been carried out successfully and that all safety related aspects of the installation are properly addressed. Initial adjustment and light-off should be undertaken only by a trained commissioning engineer.

Safety interlocks

Guarantee that all the required safety locks as described in the applicable local codes or regulations, or supplementary requested for safe operation of the overall installation, are working properly and resulting in a positive safety-lock of the burner. Do not bypass any of these safety interlocks. This will result in unsafe operation.

Checks during and after start-up

During and after start-up, check the integrity of the system. Check all bolted connections after first firing (first time on temperature) and retighten if necessary.

Purge

For safety reasons, it is required to purge the installation sufficiently long enough to ensure that all possible combustibles are evacuated before ignition. Refer to the applicable local codes and your specific application requirements to determine the purge time.

Pilot ignition

Adjust pilot air flow and pilot gas regulator to correct set point before pilot ignition attempt. Turn adjustable orifice screw out (counter-clockwise) several turns from its fully seated position. Refine during lighting of the pilot to a yellow/blue flame and/or strongest stable flame signal. For FIG1 pilot endplates, note that pilot air may be adjusted for optimal pilot size and ignition by means of a shutter located between the cast iron pilot body and the stainless steel end enclosure plate.

Main burner ignition

Adjust the main gas regulator at the correct set-point before igniting the main burner. Ensure that the gas-air ratio control valve is in the start position when lighting the main burner.

Ratio adjustment

Once the main flame is ignited, adjust air/gas ratio of the burner to obtain the required combustion quality. Slowly increase capacity while observing the flame. Especially observe that the flame is well divided over the entire burner length, and going straight forward in the direction of the process air flow. Check that no damage is caused to duct walls or other equipment.

MAINTENANCE AND INSPECTION

Safety requirements

Regular inspection, testing and recalibration of combustion equipment according to the installation manual is an integral part of its safety. Inspection activities and frequencies shall be carried out as specified in the installation manual.

Perform the following activities at least annually as part of a recommended preventative maintenance routine :

- Inspect burner internal parts for wear and oxidation.
- Inspect associated control instruments and devices for function with particular attention to all safety permissive switches.
- Perform leak tests on fuel shut-off valves according to any schedule established by the authority having jurisdiction.

Visual inspections

Regular visual inspection of all connections (air and gas piping to the burner, bolting of the burner mounting flange, burner support in the duct) and burner flame shape and aspect are essential for safe operation.

Recommended spare parts

Keep local stock of spark ignitor and flame detector. It is not recommended to keep local stock of other burner parts. Consult the installation manual for burner system spare parts and accessories.

Other available burner spare parts are:

- the mixing plate sets (mixing plate + screws and nuts + back-up bar)
- gas inlet gasket (gasket between gas inlet flange and burner body)
- end plate gasket (gasket between endplate and burner body)

For More Information

The Honeywell Thermal Solutions family of products includes Honeywell Combustion Safety, Eclipse, Exothermics, Hauck, Kromschröder and Maxon. To learn more about our products, visit ThermalSolutions.honeywell.com or contact your Honeywell Sales Engineer.

Honeywell MAXON branded products

201 E 18th Street
Muncie, IN 47302
USA

www.maxoncorp.com

Honeywell Process Solutions

Honeywell Thermal Solutions (HTS)
1250 West Sam Houston Parkway
South Houston, TX 77042
ThermalSolutions.honeywell